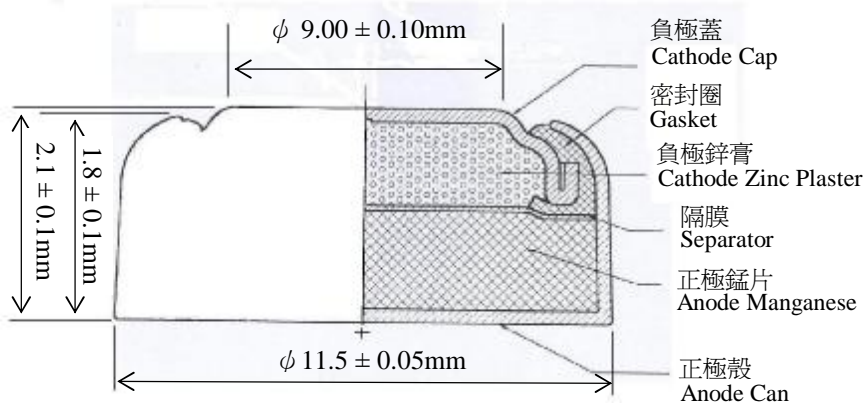


SG8/SR1120 BUTTON CELL

DIMENSIONS



NOMINAL VOLTAGE : 1.5 VOLT

APPROX. SERVICE CAPACITY : 49 mAh

APPROX. WEIGHT : 0.86 g

RATED AT 15,000 OHMS LOAD TESTED AT 21°C WITHIN 30 DAYS OF MANUFACTURE.

SYSTEM : ZINC/MANGANESE DIOXIDE.

ESTIMATED AVERAGE HOURS SERVICE AT 21°C

