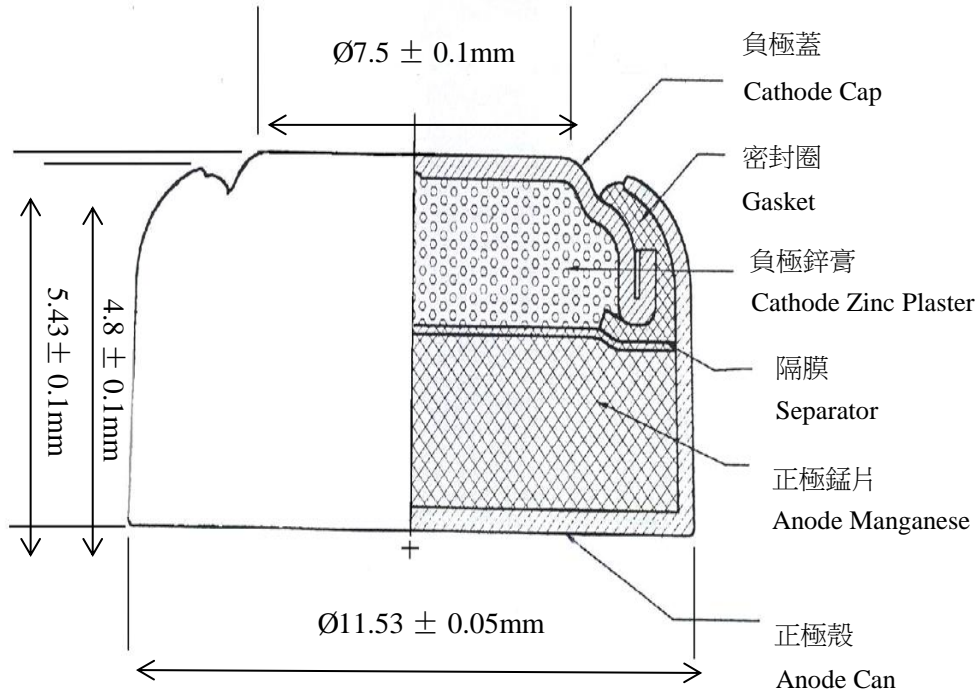




# WAMA ELECTRONICS TECHNOLOGY CO.,LTD

## AG13,LR44,357/303 BUTTON CELL

### DIMENSIONS:



**NOMINAL VOLTAGE : 1.5 VOLT**

**APPROX. SERVICE CAPACITY : 160 mAh**

**APPROX. WEIGHT : 2.0 g**

**RATED AT 7.5K $\Omega$  LOAD TESTED AT 21°C WITHIN 30 DAYS OF MANUFACTURE.**

**SYSTEM : ZINC /MANGANESE DIOXIDE.**

### ESTIMATED AVERAGE HOURS SERVICE AT 21 °C

